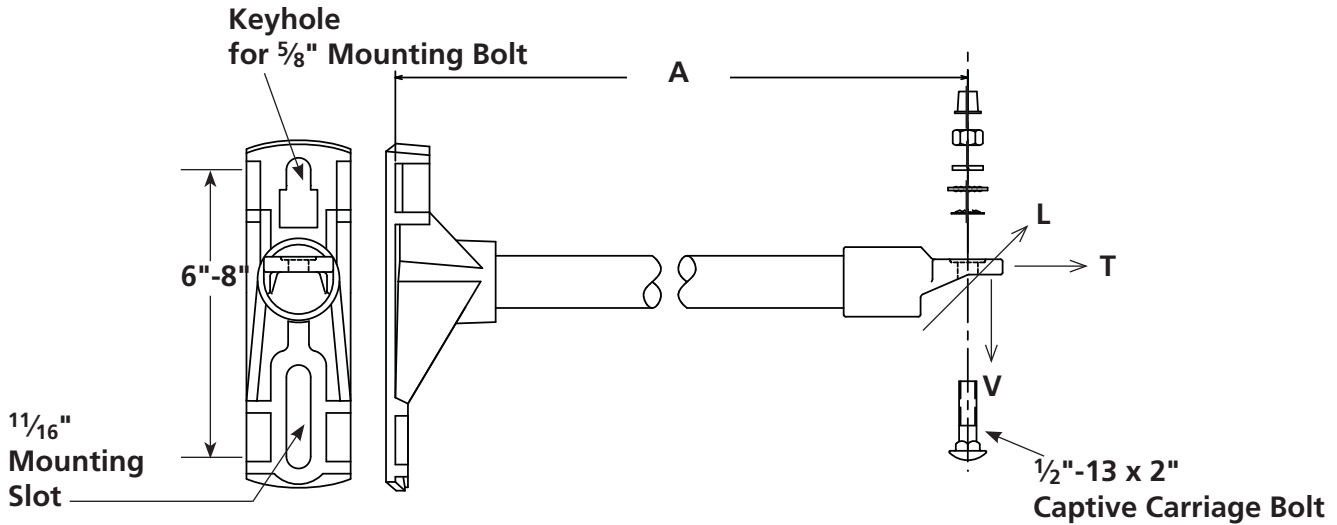


# 1 Position Single-Phase Cutout/Arrester Bracket (0°) with Hardware



- Base design permits bolting or banding to structure.
- End fitting is hot-dip-galvanized ductile iron.
- Base is aluminum alloy.

RUS Accepted.

Catalog Number	Length A	Minimum Ultimate*			Weight (Each)
		Vertical V	Longitudinal L	Transverse T	
<b>Medium Duty 1.5" (38 mm) Dia. Rod</b>					
1SBM12SGLB	12" (30.5 cm)	2100 lbs. (953 kg)	900 lbs. (408 kg)	5000 lbs. (2268 kg)	4.6 lbs. (2.1 kg)
1SBM15SGLB	15" (38.1 cm)	1800 lbs. (816 kg)	800 lbs. (363 kg)	5000 lbs. (2268 kg)	5.0 lbs. (2.3 kg)
1SBM18SGLB	18" (45.7 cm)	1500 lbs. (680 kg)	700 lbs. (318 kg)	5000 lbs. (2268 kg)	5.4 lbs. (2.4 kg)
1SBM21SGLB	21" (53.3 cm)	1200 lbs. (544 kg)	600 lbs. (272 kg)	5000 lbs. (2268 kg)	5.8 lbs. (2.6 kg)
1SBM24SGLB	24" (61 cm)	900 lbs. (408 kg)	500 lbs. (227 kg)	5000 lbs. (2268 kg)	6.2 lbs. (2.8 kg)

\*Recommended maximum working load is 50% of minimum ultimate ratings listed.  
Consult factory for additional lengths.