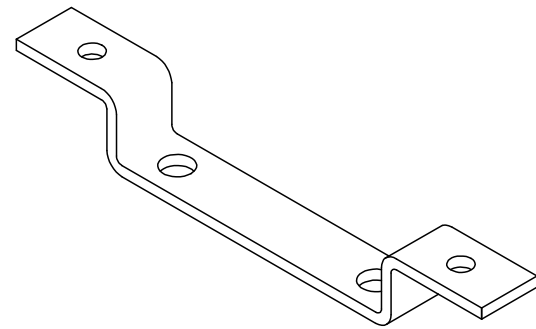
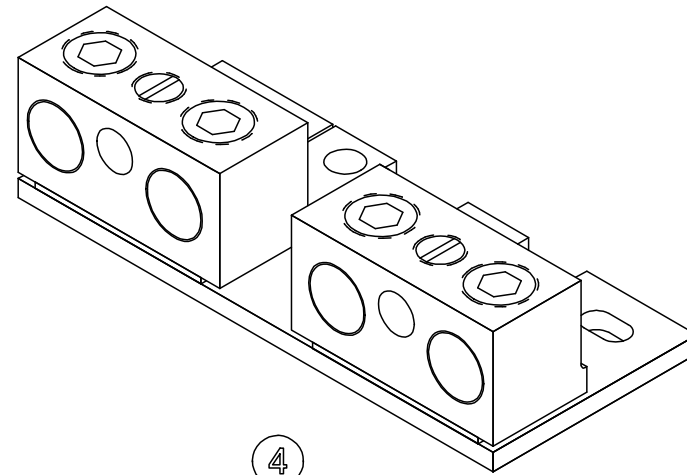


| # | ITEM DESCRIPTION | QTY |
|----|-------------------------------|-----|
| 1 | DC CONVERSION LABEL ARP01395 | 1 |
| 2 | ARP01395 INSTRUCTIONS | 1 |
| 3 | DC SUPPORT STRAP | 1 |
| 4 | 200A DC ASY (CCH BKR) | 1 |
| 5 | NEUT BAR 1(350) 2(250) 2(2/0) | 1 |
| 6 | CCH PEM STUD ASY | 2 |
| 7 | M6 NUT AND WASHER ASSY | 2 |
| 8 | 1/4-20 X 1/2 SHWHTT | 2 |
| 9 | 1/4-20 X 1-1/2 SRHMS | 2 |
| 10 | 1/4 LOCK WASHER | 2 |
| 11 | 1/4-20 X 3/8 SRHMS | 2 |
| 12 | POLY BAG .002" X 5" X 10" | 1 |

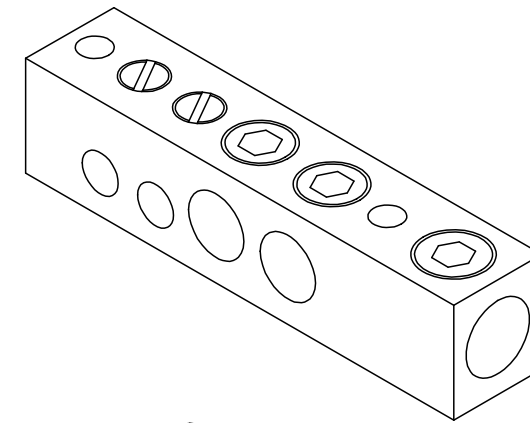
| WIRE SIZE | TORQUE (LB-IN) |
|----------------------------|----------------|
| #14-2/0 CU-AL, SLOTTED | 50 |
| #6-250MCM CU-AL, 5/16" HEX | 275 |
| #6-350MCM CU-AL, 5/16" HEX | 275 |



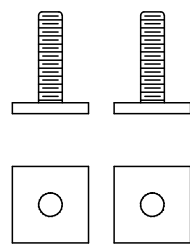
3



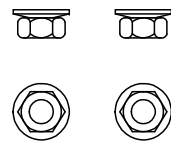
4



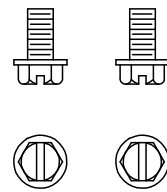
5



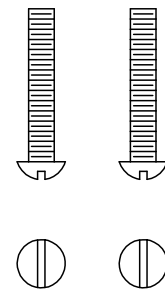
6



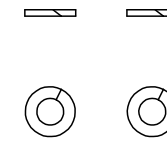
7



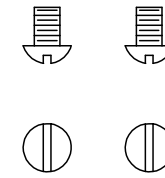
8



9



10



11

TOLERANCES (UNLESS OTHERWISE NOTED)
 SHEARED BLANKS & FRACTIONS ±.032
 OPEN NOTCH TO SHEARED EDGE ±.032
 PUNCHED HOLES/SHAPES ±.003
 FORMED FLANGES ±.032
 ALL OTHER DIMENSIONS ±.015
 FINAL ASSEMBLY DRAWING DIMENSIONS ARE NOMINAL, REFER TO INDIVIDUAL PART/SUB FOR ALLOWABLE CUMULATIVE TOLERANCE

DATE 04/21/2015 BY JRW

DWG NO. ARP01395

200A DC KIT FOR C222W SKT/BKR



THE DURHAM COMPANY

P.O. BOX 908 722 DURHAM ROAD LEBANON, MO 65536
 P.O. BOX 229 1435 N. INDUSTRIAL DR. HOUSTON, MO 65483

THIS DRAWING IS THE PROPERTY OF THE DURHAM COMPANY AND CONTAINS PROPRIETARY AND CONFIDENTIAL INFORMATION WHICH MUST NOT BE DUPLICATED, USED OR DISCLOSED OTHER THAN AS EXPRESSLY AUTHORIZED BY THE DURHAM COMPANY SPECIFICATIONS SUBJECT TO CHANGE WITHOUT NOTICE

| REV | DATE | DESCRIPTION | BY |
|-----|------|-------------|----|
| | | | |